

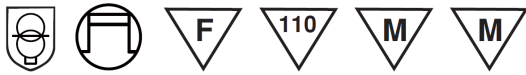


Power Supply ELG-240

Data sheet

Power Supply ELG-240

The power supply ELG-240 is designed with a metal housing and has an IP67 rating because of this housing. This makes the power supply suitable for both indoor and outdoor use.



SELV IP67 (FC) C  US  18
Type HL

 **CB** **CE**

3rd

Third party product

Technical data:

- Power supply: 200 - 305 VAC; 47-63 Hz
- Output voltage: 24 VDC (22,4 - 25,6 V)
- Max power: 10 A
- Working range: 5 - 10 A
- Nominated effect: 240 W
- Working temperature: -40°C to +90°C

Or

- Power supply: 100 VAC - 180 VAC
- Output voltage: 24 VDC (22,4 - 25,6 V)
- Max power: 7,5 Amp
- Nominated effect: 180 W
- Working temperature: -40°C til +90°C

The specified product is produced by Mean Well.

Specifications subject to change without prior notice.

It is the responsibility of the product user to determine the suitability of the products for a specific application. LINAK will at point of delivery replace/repair defective products covered by the warranty if promptly returned to LINAK Danmark A/S. No liability is assumed beyond such replacement/repair.

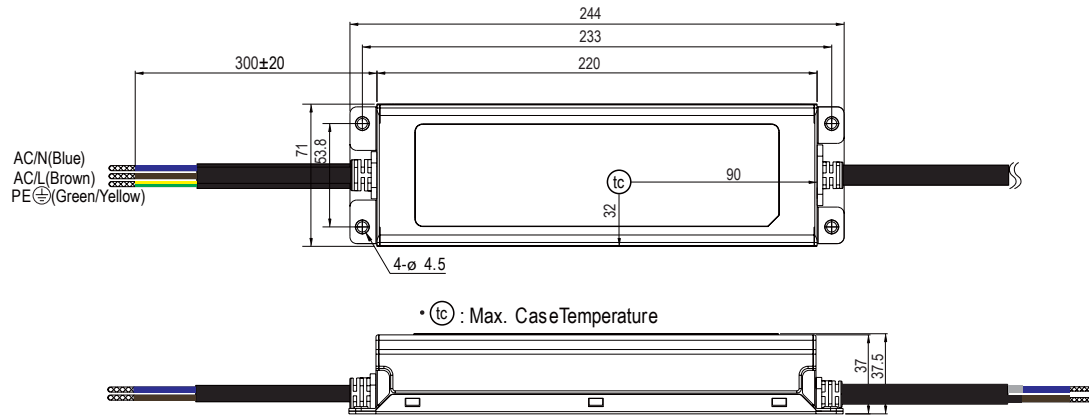
Features:

- Metal housing design with functional Ground
- Suitable for outdoor use
- IP67 rating
- Stand by consumption < 0,5 W
- Adjustable output voltage via "dim-to-off" function

(Read more on the website of the supplier; www.meanwell.com)

Continued

Dimensions

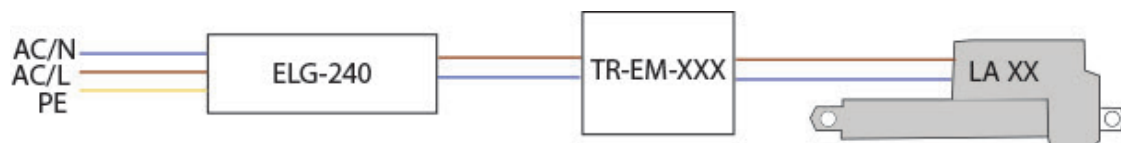


Connection examples:

Connection of IC actuator

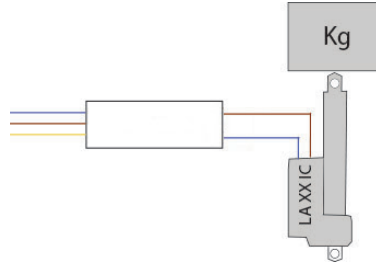


Connection of actuator for TR-EM-control

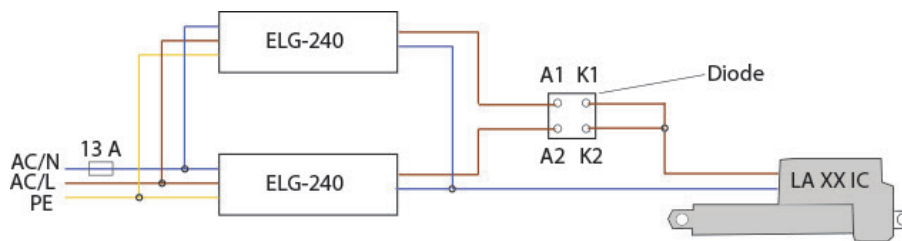


Systems with high load

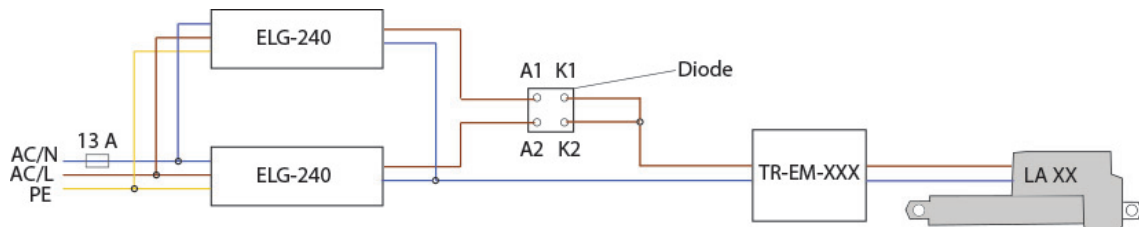
In applications working with high load and thus high load of the actuator, a phenomena called generator effect may occur. Does this generator effect occur in the system, the power protection in the power supply will turn off. The phenomena can be prevented by mounting a diode between the power supply and the actuator.



Connection of double supply for IC actuator



Connection of double supply for TR-EM-control



Ordering:

Power supply:

Diode:

Ordering no.: TR-ELG-240-24-3Y

Ordering no.: STTH10002